

PRODEVA CAN CRUSHER

MODEL

108



- ▶ Crushes 12 or 16 oz. aluminum cans
- ▶ Quiet running
- ▶ Fits under bar or counter
- ▶ 1/15 HP motor
- ▶ Plugs into standard outlet
- ▶ Mounted on casters for easy mobility
- ▶ No installation required
- ▶ Backed by a one year warranty

The model 108 is compact, rugged and ideal for most bars, restaurants and cafeterias. This patented machine is simple to operate and maintain and is designed for years of trouble free use. The 108 can be easily cleaned by water or steam.



CRUSHER MODEL

108

SPECIFICATIONS

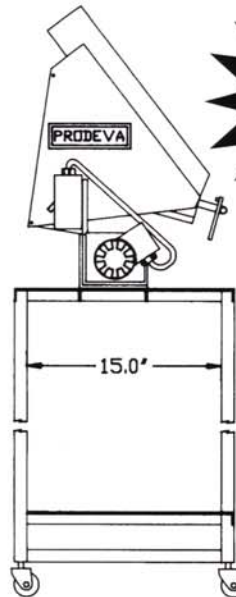
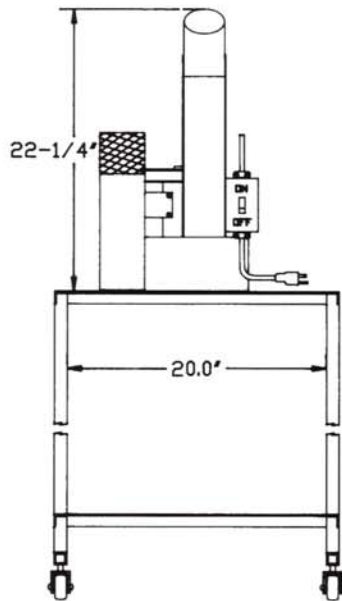
- ▶ All steel constructed
- ▶ 1/15 HP
- ▶ 115 volt
- ▶ Crushes up to 18 cans per minute
- ▶ Crushes cans to 1/4 of original size
- ▶ Stand can be made any size
- ▶ Weight 65 lbs.



PRODEVA PROFILE

PRODEVA, Inc., with nearly 40 years experience in the size reduction field, offers a complete line of crusher and shredder models for processing bottles, cans (aluminum or steel), plastic and glass. Our equipment is used world-wide for recovery, recycling, scrap, and disposal facilities, both public and private. All are engineered and field-tested for profitable operations.

DIMENSIONAL INFORMATION



**Overnight
Parts Service
Call
1-800-999-3271**

1 Year Written Warranty

All Prodeva brand equipment carries a warranty on workmanship and materials, provided equipment is used for its intended use and maintained properly.

We reserve the right to repair or replace parts at our option. Ask for further details. Prodeva, Inc., also reserves the right to improve or alter products without prior notice.

Call Prodeva for help or further information

should you have any questions about the above model's operating features and its suitability for your needs.



Since 1958

PRODEVA, INC.

100 Jerry Drive, Jackson Center, Ohio 45334-0729

Phones: 1-800-999-3271 or 937-596-6713 FAX: 937-596-5145

<http://www.prodeva.com>

E-mail: sbunke@prodeva.com