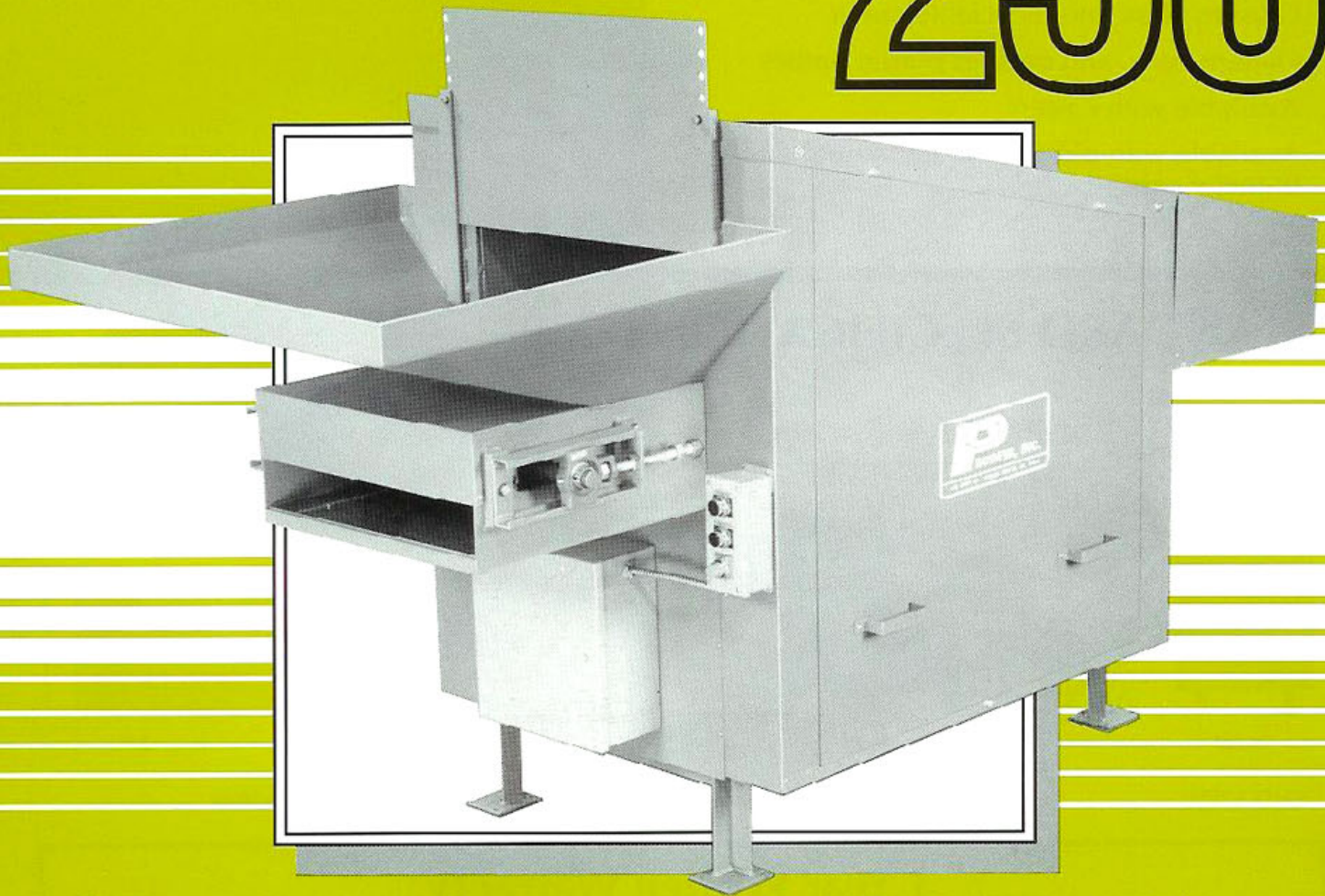




CAN & GLASS CRUSHER

MODEL

250



- ▶ Rated capacities of Model 250:
 - 2000 lbs. of Aluminum cans per hour
 - 4000 lbs. of Steel cans per hour
 - 4 ton of Glass per hour
- ▶ Safety engineered throughout
- ▶ Factory direct parts and service.
- ▶ Overload compression springs to prevent jamming.
- ▶ Model 250 will crush cans and glass up to and including 5 gallon.

A proven PRODEVA performer in our line for over 34 years. Unit is ideal for can manufacturers, recycling centers, bottlers and breweries. In fact anywhere glass containers, beverage cans or food containers are a problem. Model 250 is user friendly; easy to maintain and requires no change in machine set-up to crush cans or glass. Built for hard use and trouble-free operation with minimal maintenance or up-keep. Backed by PRODEVA's proven experience in manufacturing quality size-reduction equipment.



Crusher MODEL 250

- ▶ Constructed of 1/4" steel plate
- ▶ 5 HP 230/460/60/3
- ▶ Infeed and discharge conveyors are available
- ▶ All moving parts enclosed
- ▶ Removable side panels for maintenance
- ▶ Crushes glass into recyclable cullet
- ▶ Flattens cans, and crushes plastic bottles
- ▶ Available with casters
- ▶ Available with blowers for aluminum and bi-metal cans



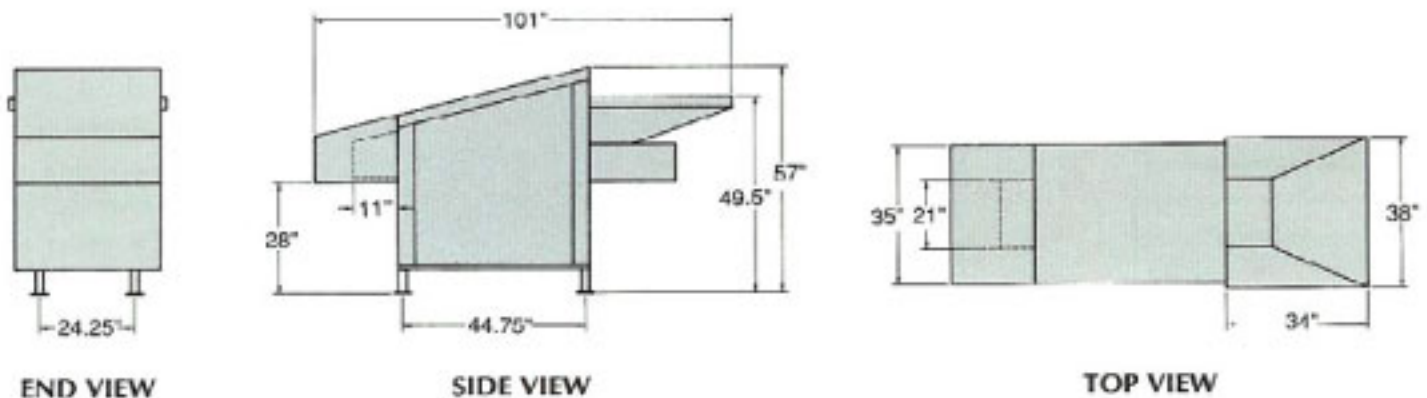
MODEL
250

PRODEVA PROFILE

PRODEVA, Inc., with over 30 years experience in the size reduction field offers a complete line of crusher and shredder models, for processing bottles, cans (aluminum or steel), plastic, glass and fluorescent tubes. Our equipment is used world-wide for recovery, recycling, scrap, and disposal facilities, both public and private. All are engineered and field-tested for profitable operations.

▶ STANDARD SPECIFICATIONS

1-800-464-3095



1 Year Written Warranty

All Prodeva brand equipment carries a warranty on workmanship and materials, provided equipment is used for its intended use and maintained properly.

We reserve the right to repair or replace parts at our option. Ask for further details, Prodeva, Inc., also, reserves the right to improve or alter products without prior notice.