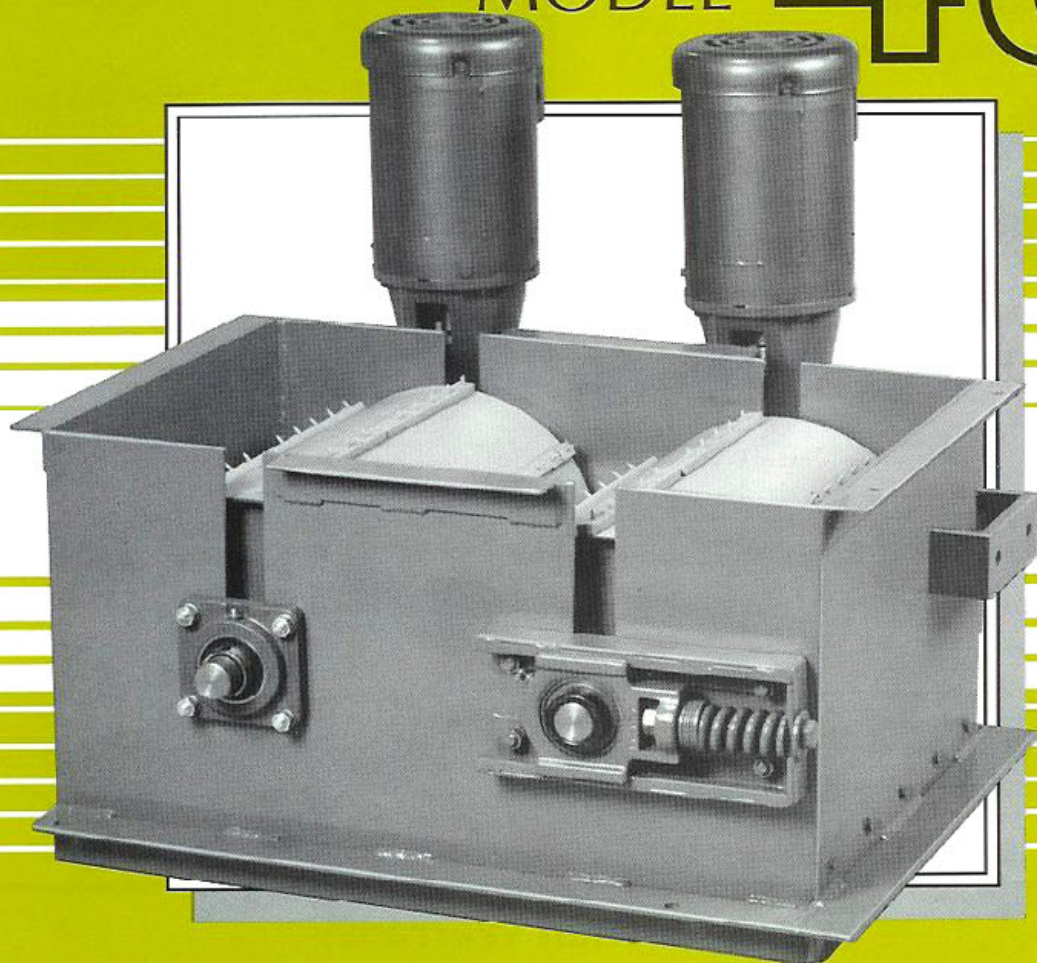




PLASTIC PERFORATOR DENSIFIER

MODEL **400**



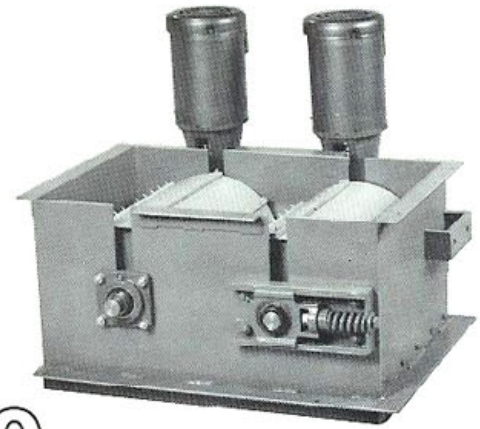
- ▶ Rated capacities of Model 400:
250 2 Liter Bottles Per Minute
- ▶ Safety engineered throughout
- ▶ Factory direct parts and service.
- ▶ Model 400 will process up to 3 liter PET and
1 gallon HDPE.

Model 400 is designed to perforate and densify plastic bottles to aid in the ever increasing problems of storage, bailing time, wear and tear on balers and will also increase bale density. This compact, fit anywhere machine can play several roles, it can be conveyor fed, mounted on platforms, over compactors or be placed on a stand and be hand fed. This machine is built to maintain a high level of performance. Jamming is prevented by a heavy duty spring loaded drum and by the high level of torque created by dual motor drives. The perforator drums are equipped with replaceable spikes.

PRODEVA MODEL 400

GENERAL SPECIFICATIONS

- ▶ Drive: (2) 1 HP Motors 230/460/60/3
- ▶ Densification Chamber Dimensions: 20 3/4" H x 19 3/8" W x 36 1/2" L
- ▶ Base Dimensions: 31 1/2" x 40 1/2"
- ▶ Drums: (2) 18" Long x 16" Diameter
- ▶ Weight: Approximately 580 lbs.
- ▶ Densification Rates: 2:1 - 3:1 Depending on Container Type
- ▶ Cycle Time: Continuous Feed
- ▶ Optional feed a discharge conveyors available

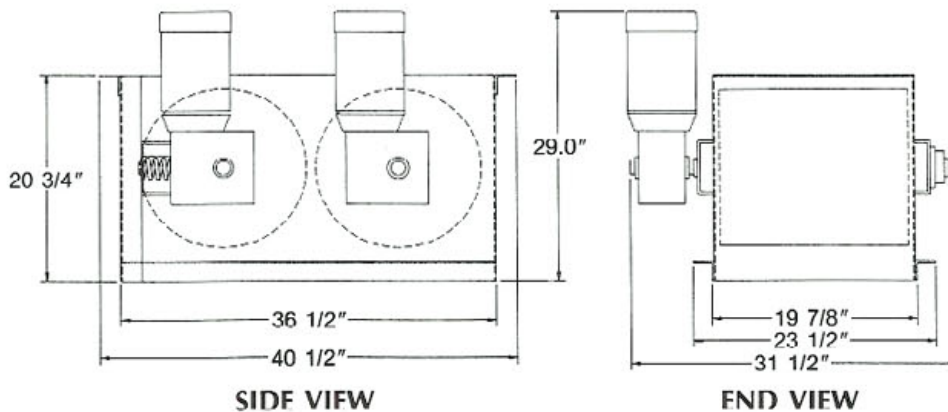


MODEL
400

PRODEVA PROFILE

PRODEVA, Inc., with over 30 years experience in the size reduction field offers a complete line of crusher and shredder models, for processing bottles, cans (aluminum or steel), plastic, glass and fluorescent tubes. Our equipment is used world-wide for recovery, recycling, scrap, and disposal facilities, both public and private. All are engineered and field-tested for profitable operations.

▶ DIMENSIONAL INFORMATION



1 Year Written Warranty

All Prodeva brand equipment carries a warranty on workmanship and materials, provided equipment is used for its intended use and maintained properly.

We reserve the right to repair or replace parts at our option. Ask for further details, Prodeva, Inc., also, reserves the right to improve or alter products without prior notice.